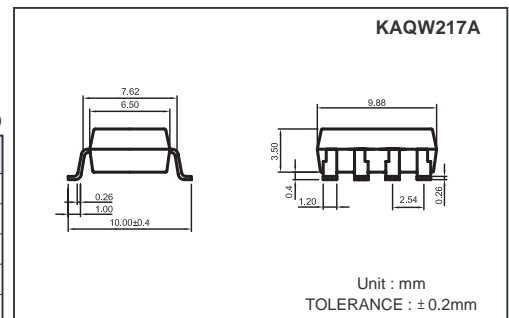
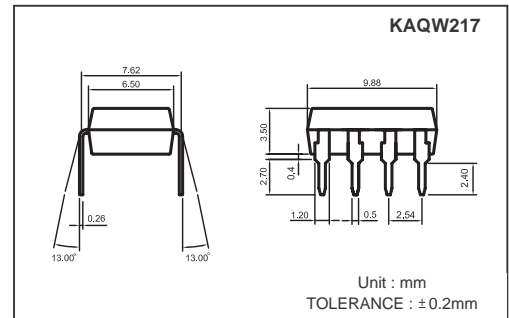


COSMO High Voltage, Solid State Relay-MOSFET Output KAQW217/217A

UL 1577/ UL 508 (File No.E108430), FI EN60950 (File No.F113698)

Features

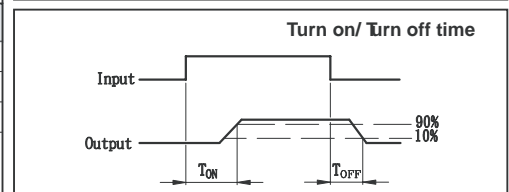
1. Normally Open, Single Pole Single Throw
2. Control 200VAC or DC Voltage
3. Switch 180mA Loads
4. LED control Current, 5mA
5. Low ON-Resistance
6. dv/dt , >500V/ms
7. Isolation Test Voltage, 3750VACrms



Absolute Maximum Ratings

(Ta=25°C)

Emitter (Input)	Detector (Output)
Reverse Voltage.....5.0V	Output Breakdown Voltage±200V
Continuous Forward Current50mA	Continuous Load Current±180mA
Peak Forward Current1A	Power Dissipation450mW
Power Dissipation75mW	
Derate Linearly from 25°C1.3mW/°C	
General Characteristics	
Isolation Test Voltage.....3750VACrms	Storage Temperature Range ...-40°C to +150°C
Isolation Resistance	Operating Temperature Range...-40°C to +85°C
Vio=500V, Ta=25°C≥10 ¹⁰ Ω	Junction Temperature.....100°C
Total Power Dissipation500mW	Soldering Temperature,
Derate Linearly from 25°C2.5mW/°C	2mm from case, 10 sec260°C

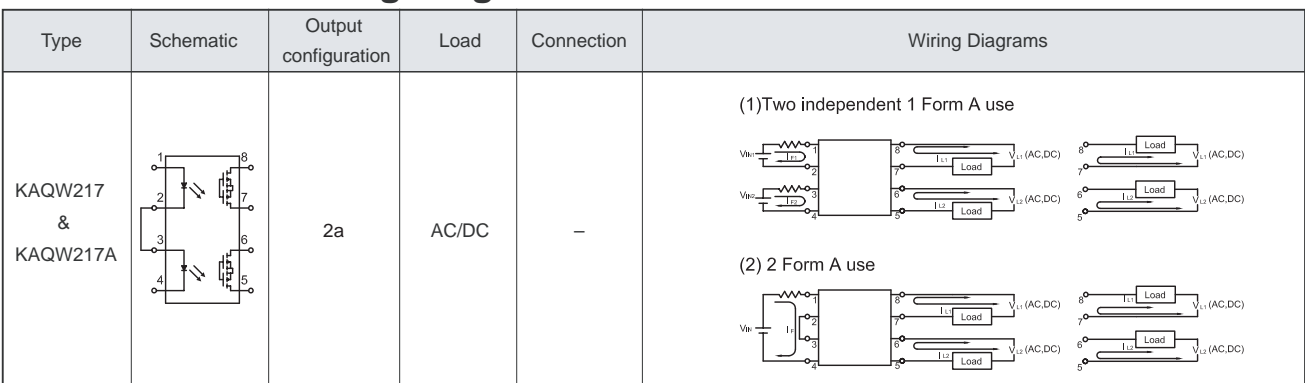


Electro-optical Characteristics

(Ta=25°C)

Parameter	Symbol	Conditions	Min.	Typ.	Max.	Unit
Emitter (Input)						
Forward Voltage	V _F	I _F = 10mA		1.2	1.5	V
Operation Input Current	I _{FON}	V _L = ±20V, I _L = 100mA, t = 10ms		1.5	5	mA
Recovery Input Current	I _{FOFF}	V _L = ±20V, I _L ≤ 5uA	0.2			mA
Detector (Output)						
Output Breakdown Voltage	V _B	I _B = 50uA	200			V
Output Off-State Leakage	I _{TOFF}	V _T = 100V, I _F = 0mA		0.2	1	uA
I/O Capacitance	C _{ISO}	I _F = 0, f = 1MHz		6		pF
ON Resistance	R _{ON}	I _L = 100mA, I _F = 10mA		6	15	Ω
Turn-On Time	T _{ON}	I _F = 10mA, V _L = ±20V		0.4	1.0	ms
Turn-Off Time	T _{OFF}	t = 10ms, I _L = ±100mA		0.3	1.0	ms

Schematic and Wiring Diagrams



Data Curve

